

PRODUCT CODE: EWS9
SWITCH & SOCKET BOX

DESCRIPTION

16mm Extension Switch & Socket Box

FINISH

Pre Galvanised

MATERIAL

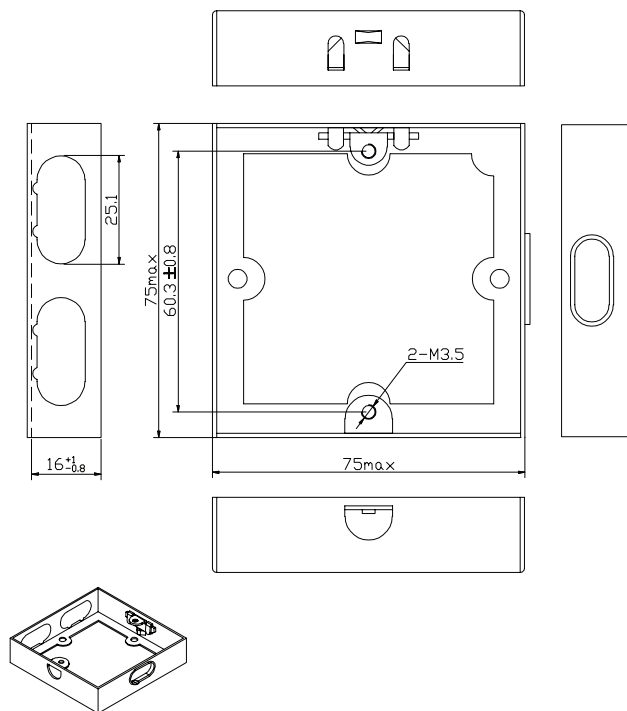
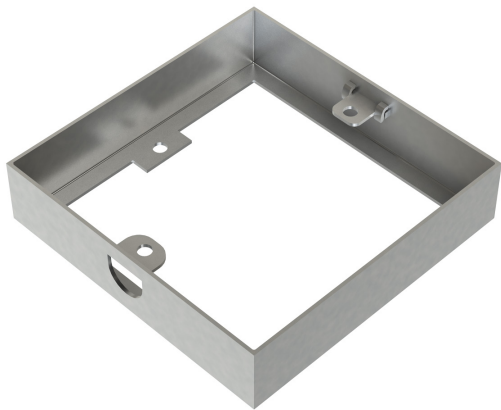
Sheet steel to comply with BS4662


PACKAGING

Packed in qty 20

ADDITIONAL NOTES

2 adjustable lugs and 3 x oval knockouts
Compliant to BS4662 & LU Standard 1-085 (for use on surface & sub-surface locations)



 Values are nominal and with a general tolerance $\pm 5\%$ unless otherwise specified